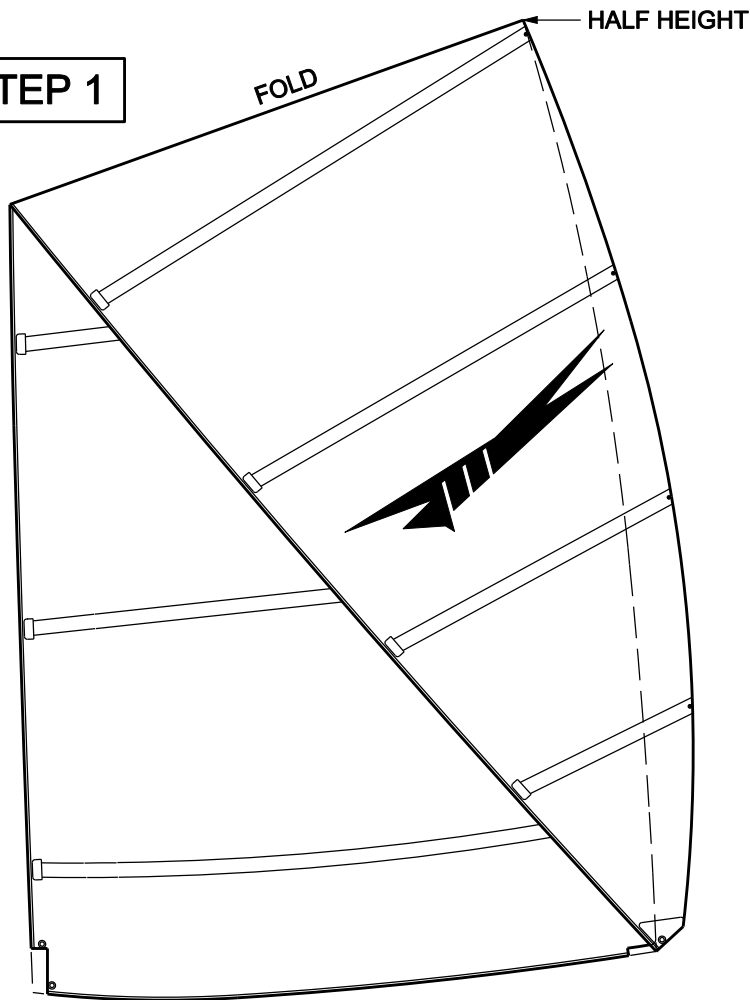
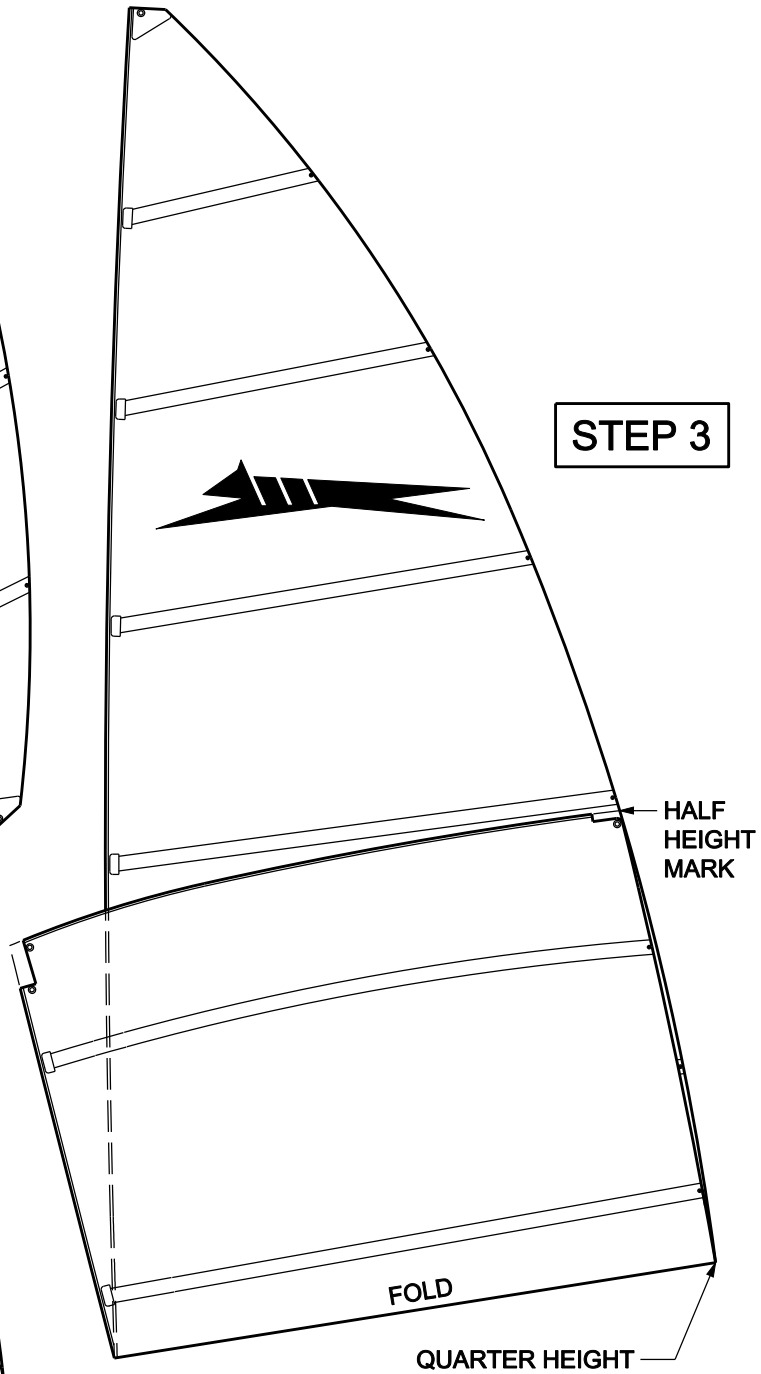


STEP 1

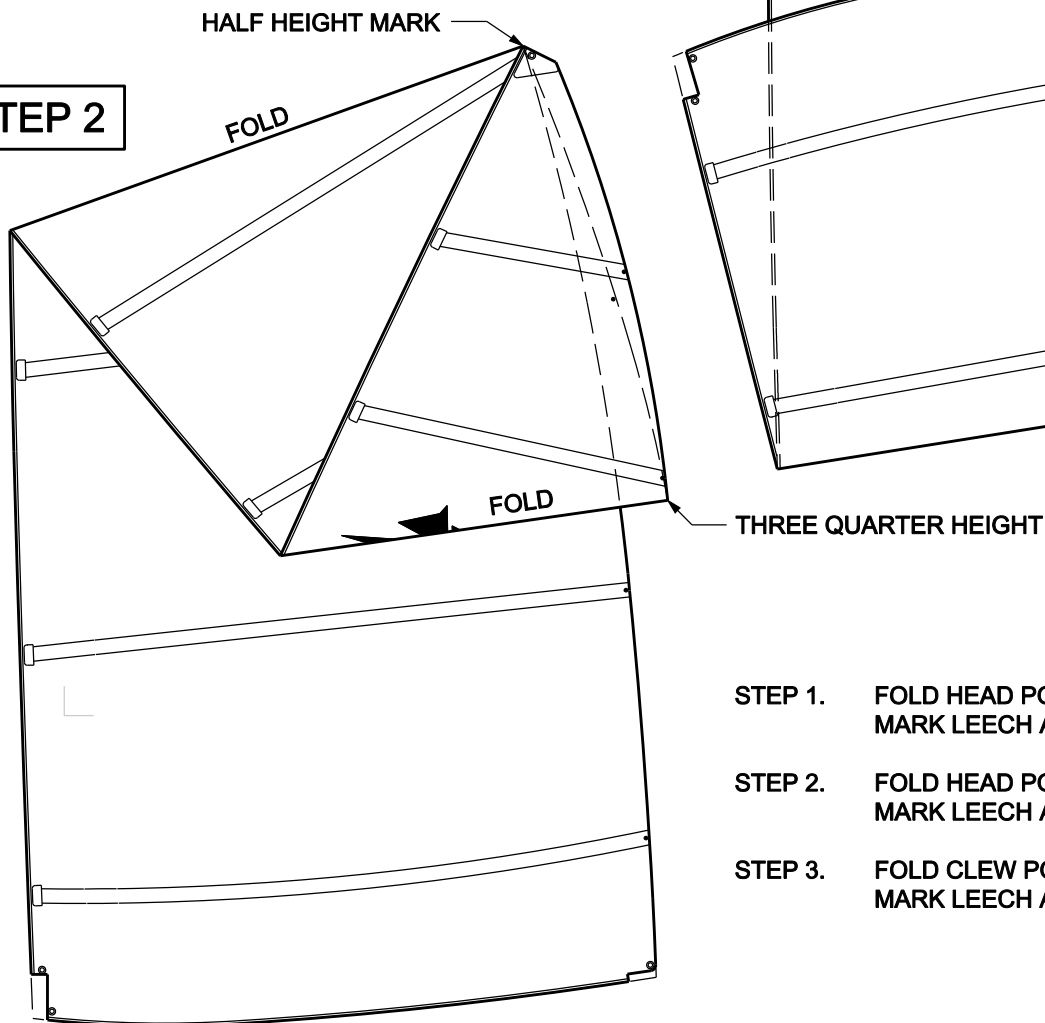
REMOVE BATTENS BEFORE
MEASURING SAIL



STEP 3



STEP 2



STEP 1. FOLD HEAD POINT TO CLEW POINT.
MARK LEECH AT HALF HEIGHT.

STEP 2. FOLD HEAD POINT TO HALF HEIGHT MARK.
MARK LEECH AT THREE QUARTER HEIGHT.

STEP 3. FOLD CLEW POINT TO HALF HEIGHT MARK.
MARK LEECH AT QUARTER HEIGHT.

SAIL MEASUREMENT